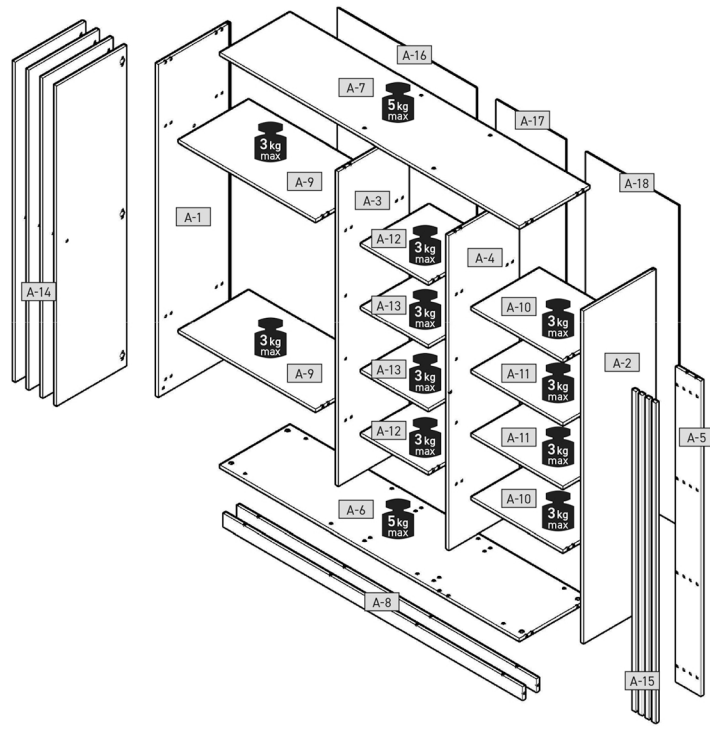
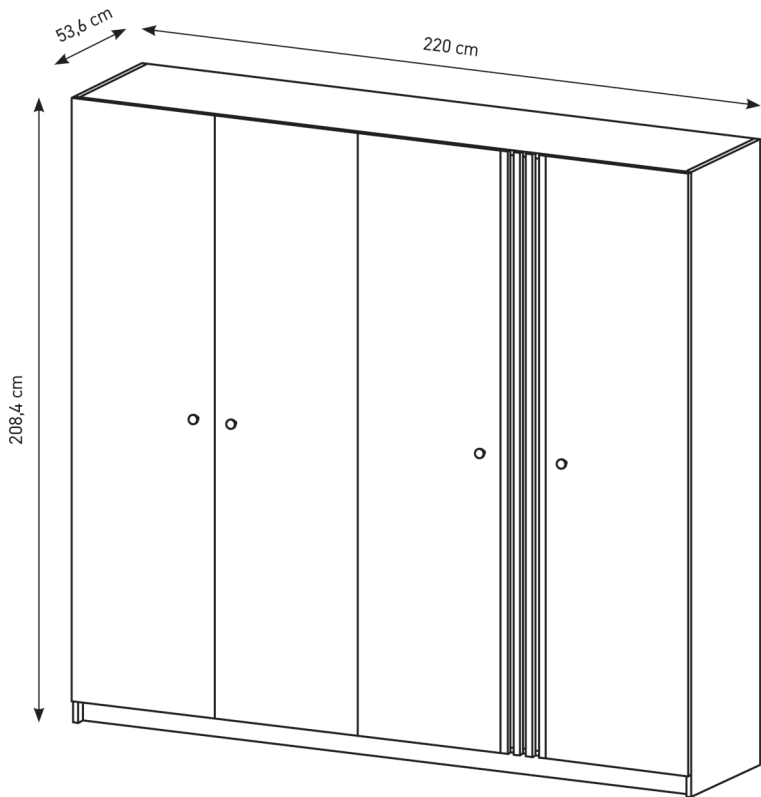
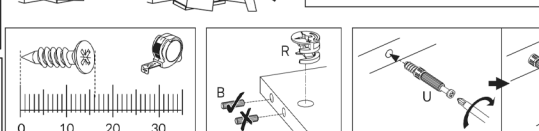
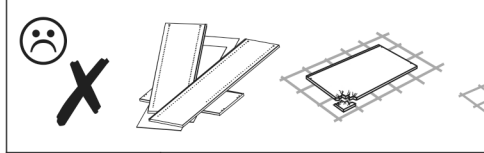
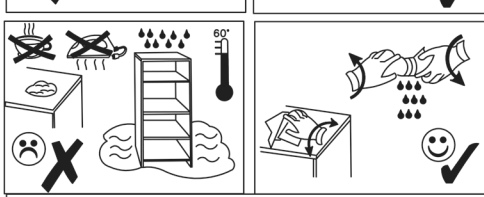
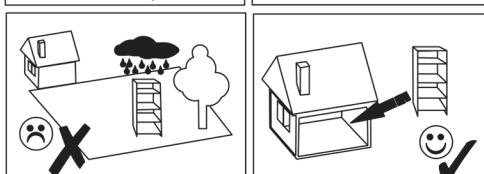
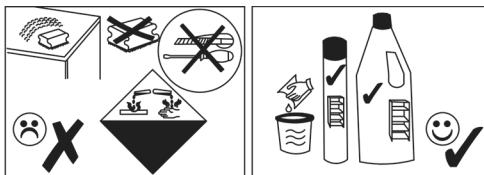


DUKEN 220

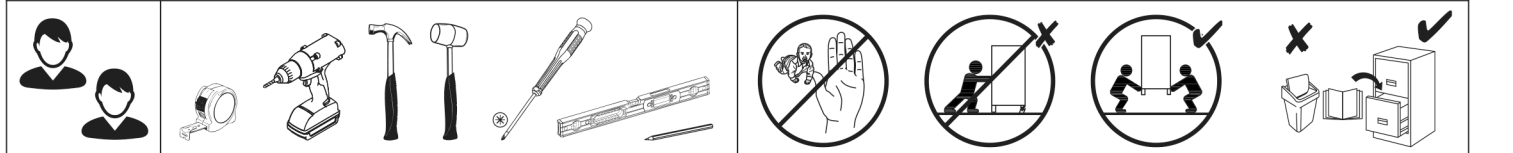
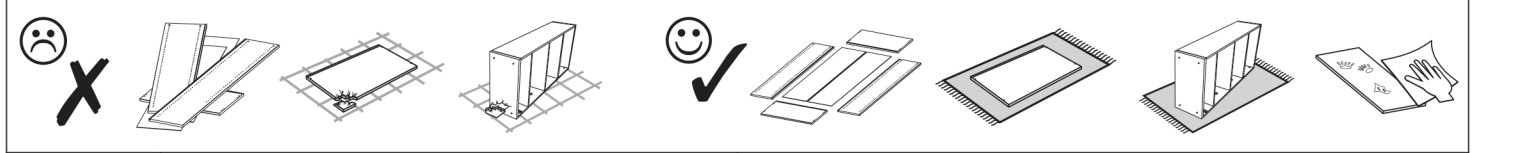
ca. 2,5h 



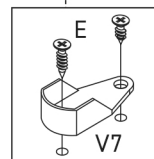
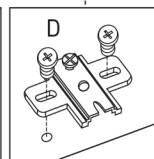
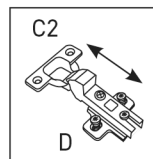
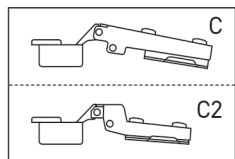
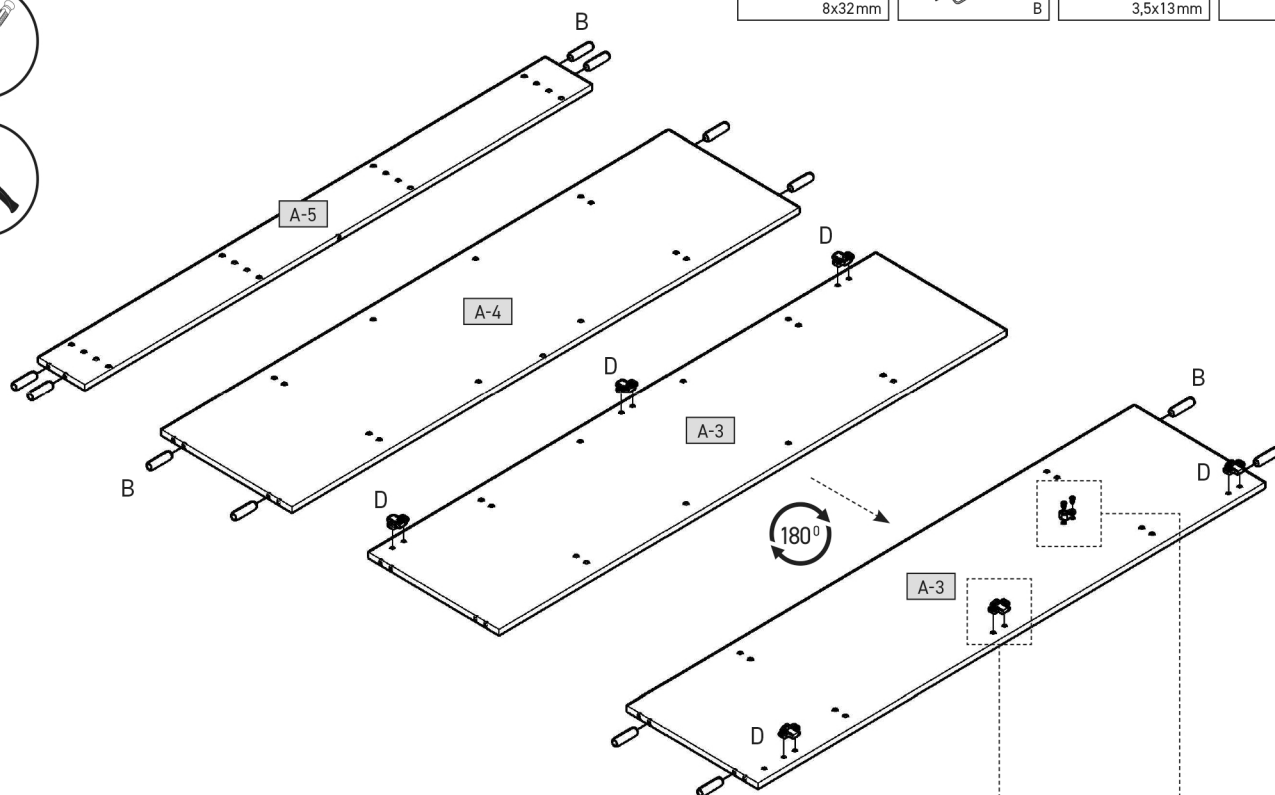
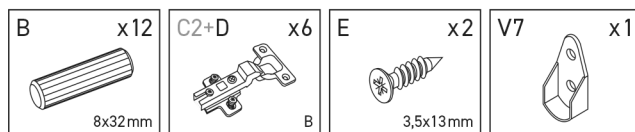
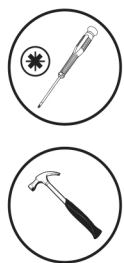
A-1	2080	520	16	x 1	1/4
A-2	2080	520	16	x 1	1/4
A-3	1968	505	16	x 1	3/4
A-4	1968	505	16	x 1	3/4
A-5	1968	178	16	x 1	2/4
A-6	2168	505	16	x 1	2/4
A-7	2168	505	16	x 1	2/4
A-8	2168	80	16	x 2	2/4
A-9	991	505	16	x 2	1/4
A-10	661	489	16	x 2	3/4
A-11	661	489	16	x 2	1/4
A-12	484	489	16	x 2	3/4
A-13	484	489	16	x 2	3/4
A-14	504	2000	16	x 4	4/4
A-15	2000	24	18	x 4	2/4
A-16	1006	1998	3	x 1	1/4
A-17	500	1998	3	x 1	2/4
A-18	676	1998	3	x 1	2/4



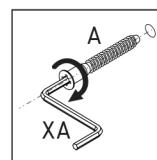
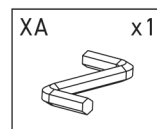
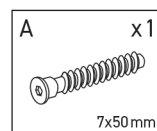
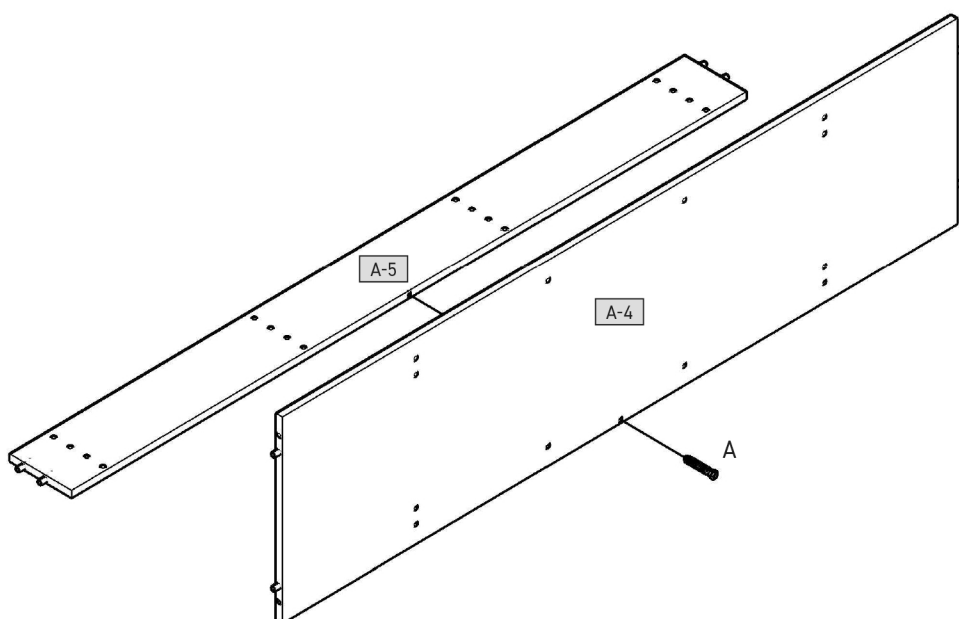
A	x17	B	x32	B3	x8	C+D	x6	C2+D	x6	E	x29	E2	x88	E3	x16	EM2	x4
	7x50mm		8x32mm		8x50mm		P		B		3,5x13mm		3x20mm		4x27mm		4x25mm
G2	x12	H1	x8	M	x4	P	x16	Q2	x20	R	x32	U	x16	U3	x8	V	x1
				OSKINBL Ø32			Ø15/5		Ø15/5		H=11mm		L=24,3mm		L=69mm		L=985mm
V7	x2	W1	x1	XA	x1	ZA	x17	ZR	x32								
							Ø4		Ø15								



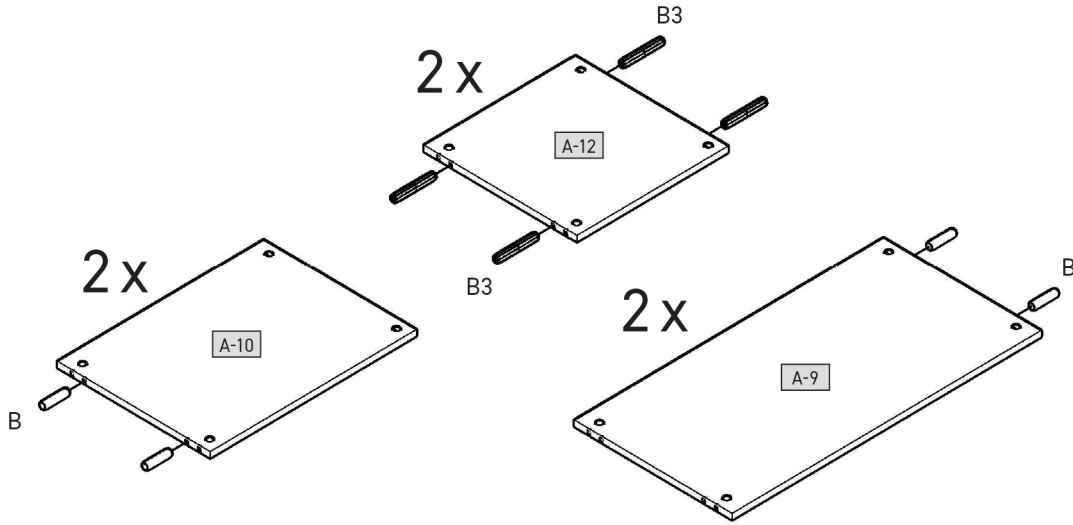
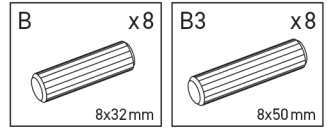
1



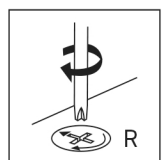
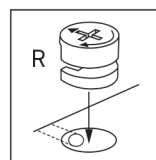
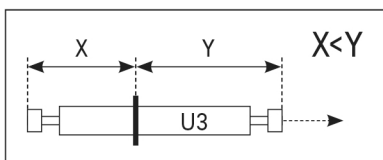
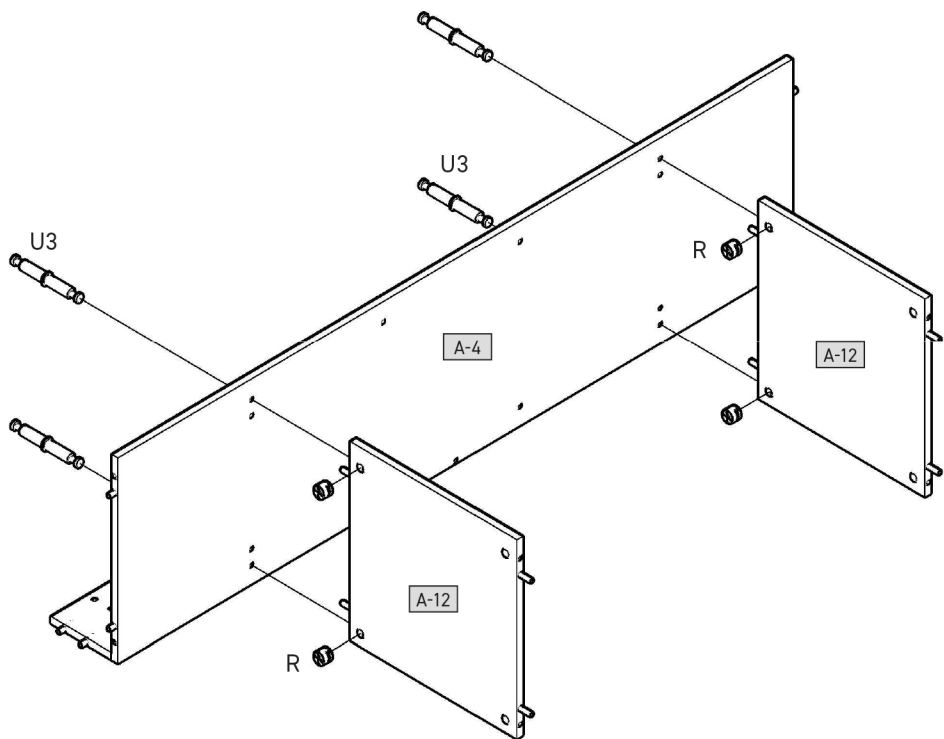
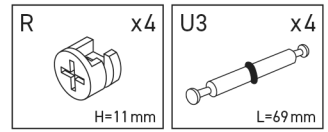
2



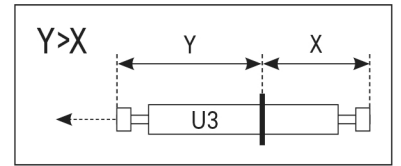
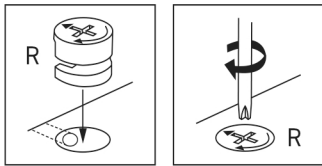
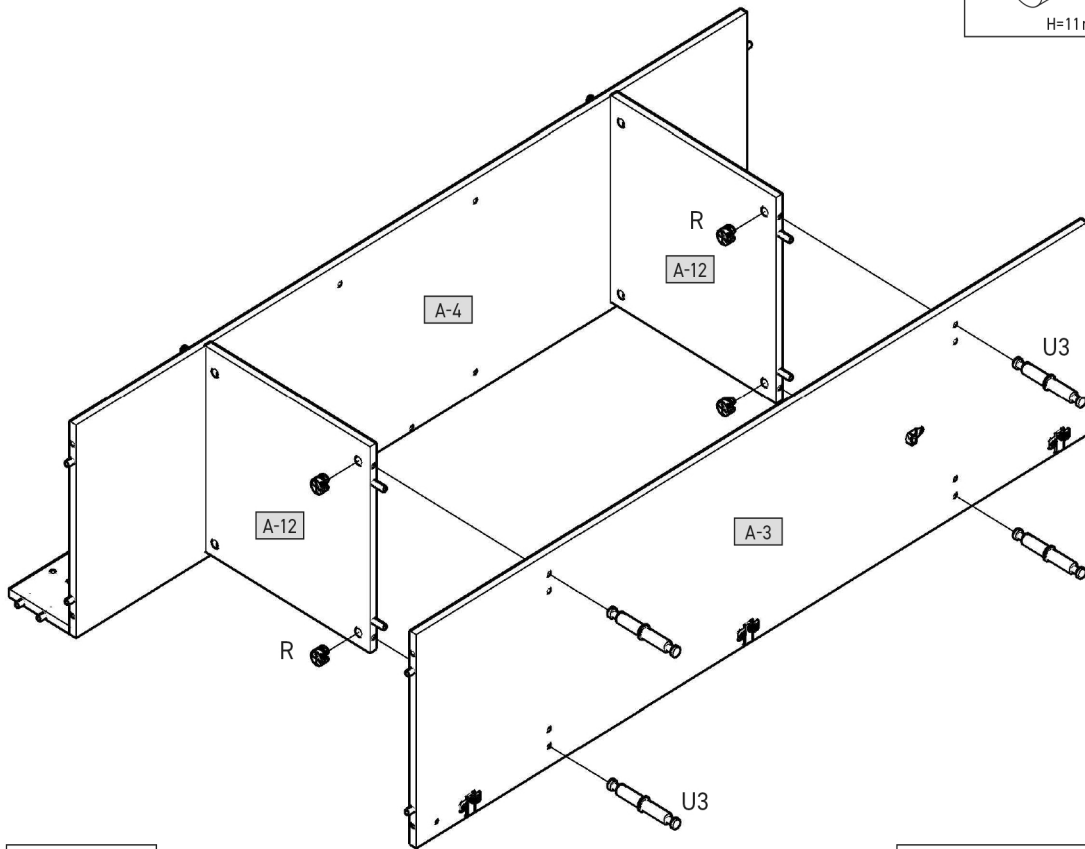
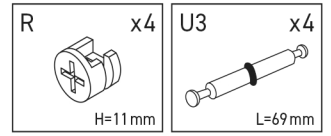
3



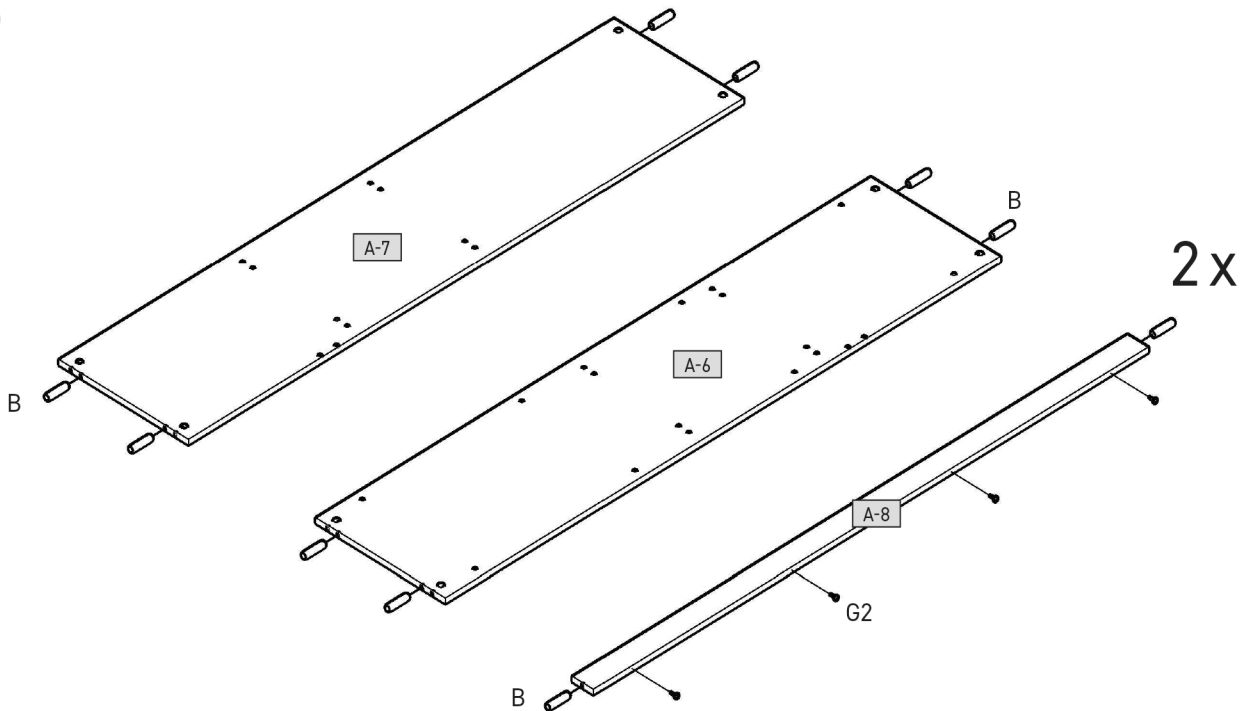
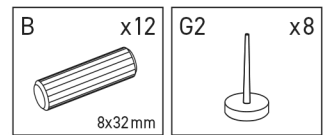
4



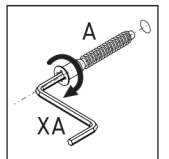
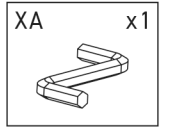
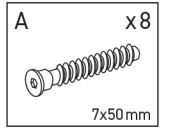
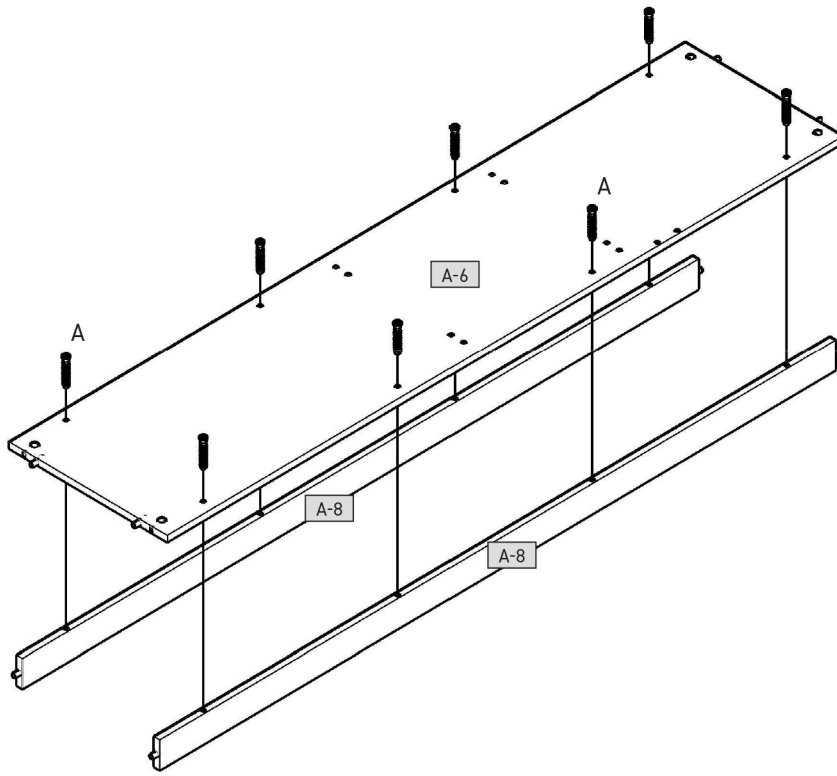
5



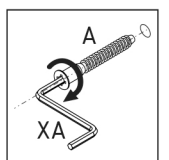
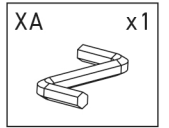
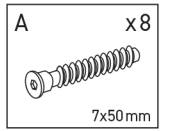
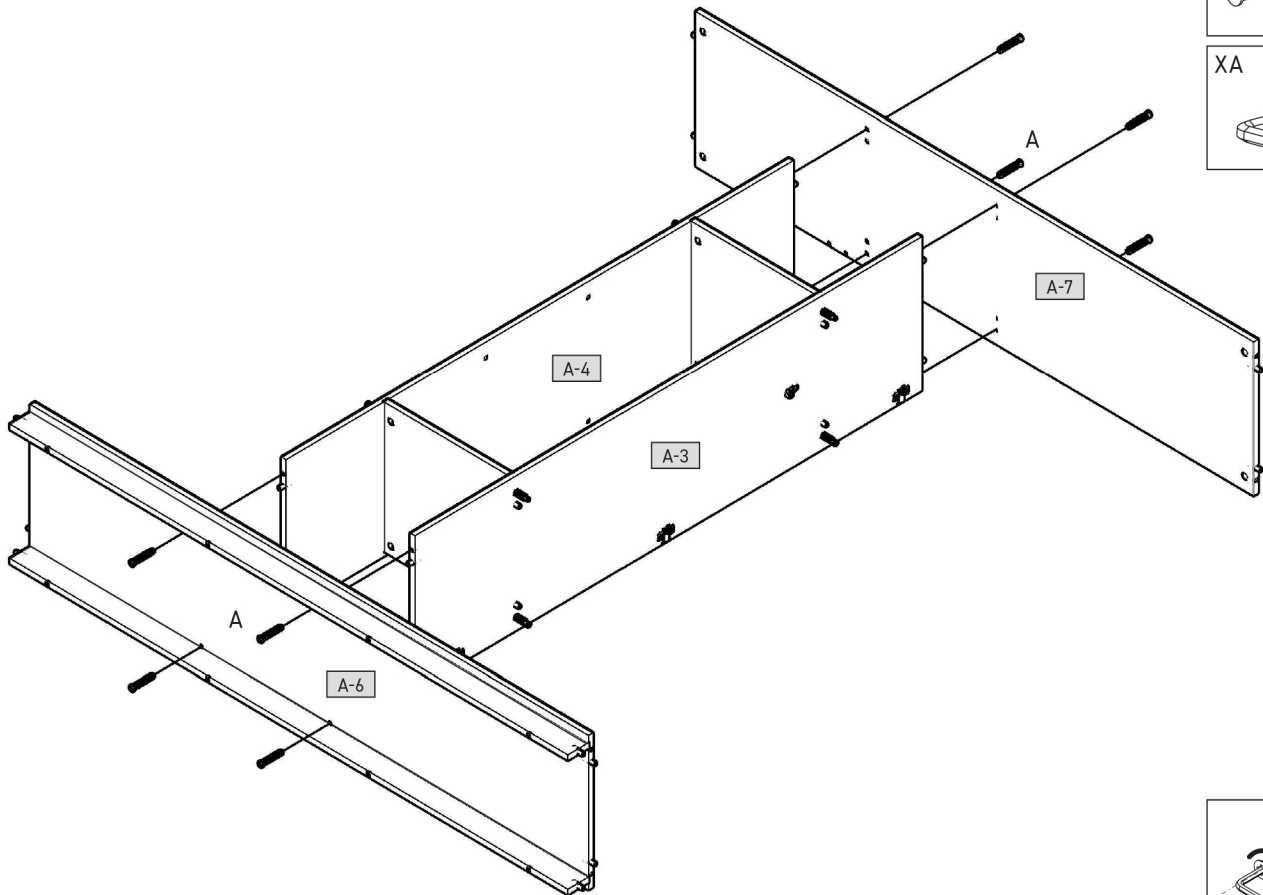
6



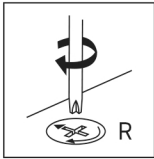
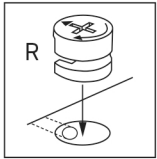
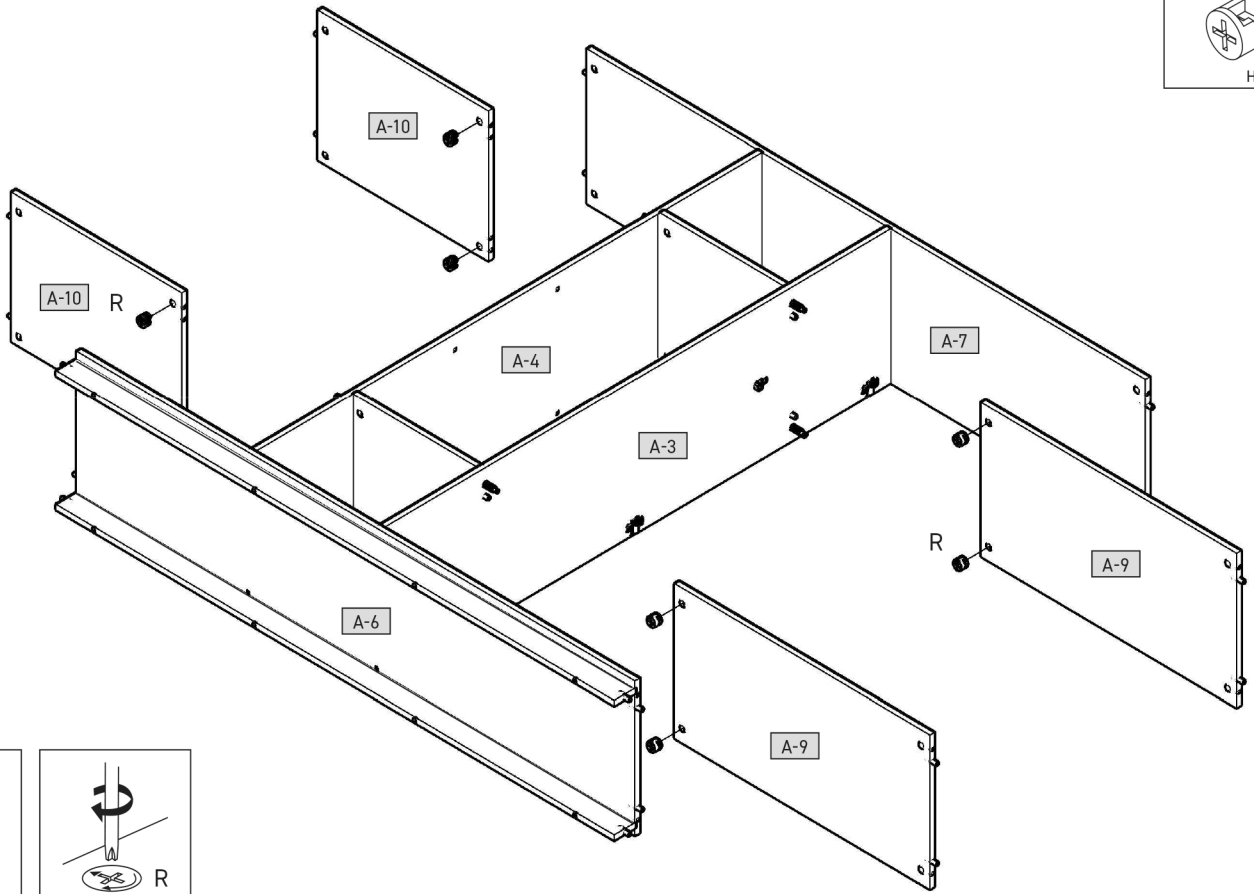
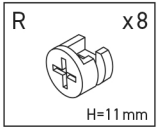
7



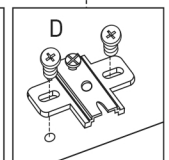
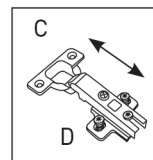
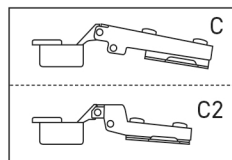
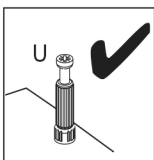
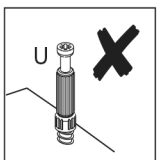
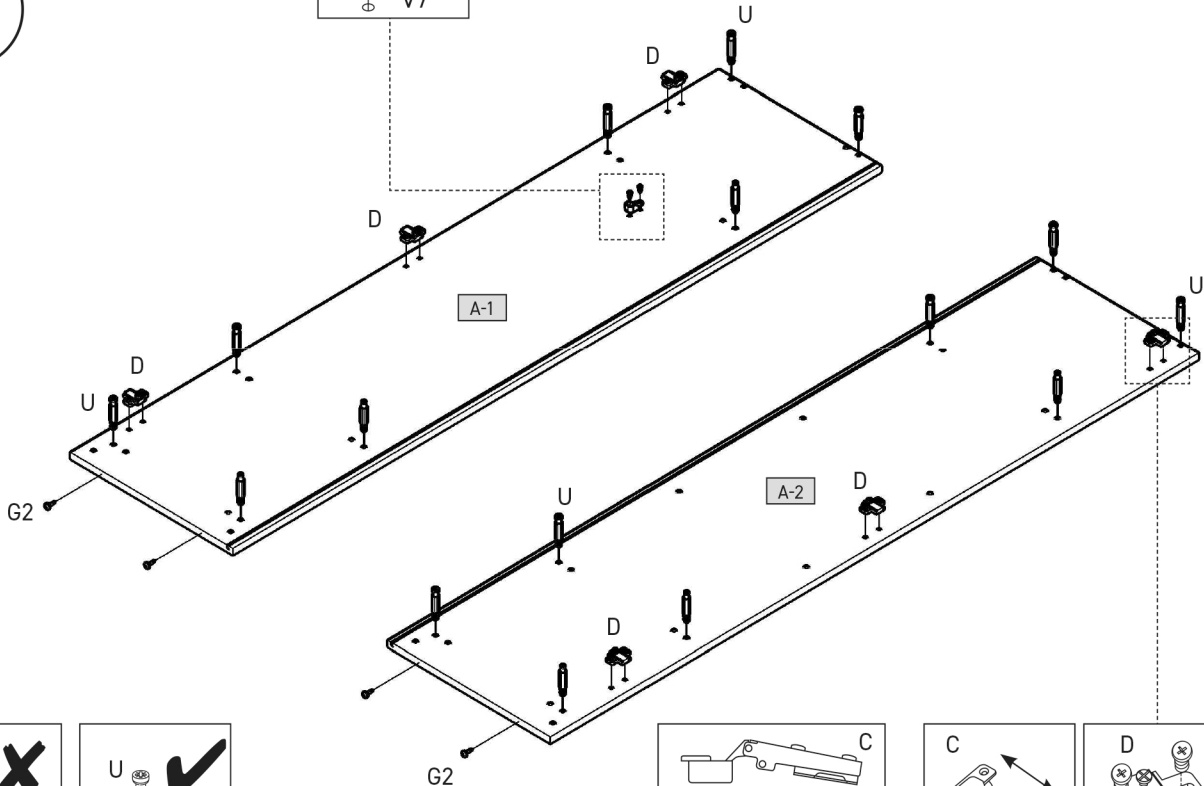
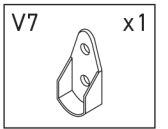
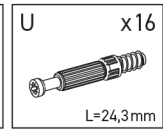
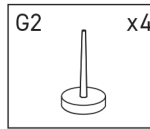
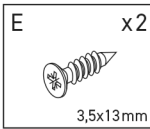
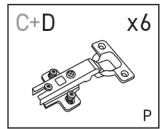
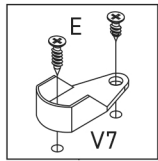
8



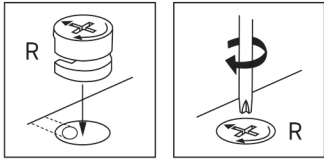
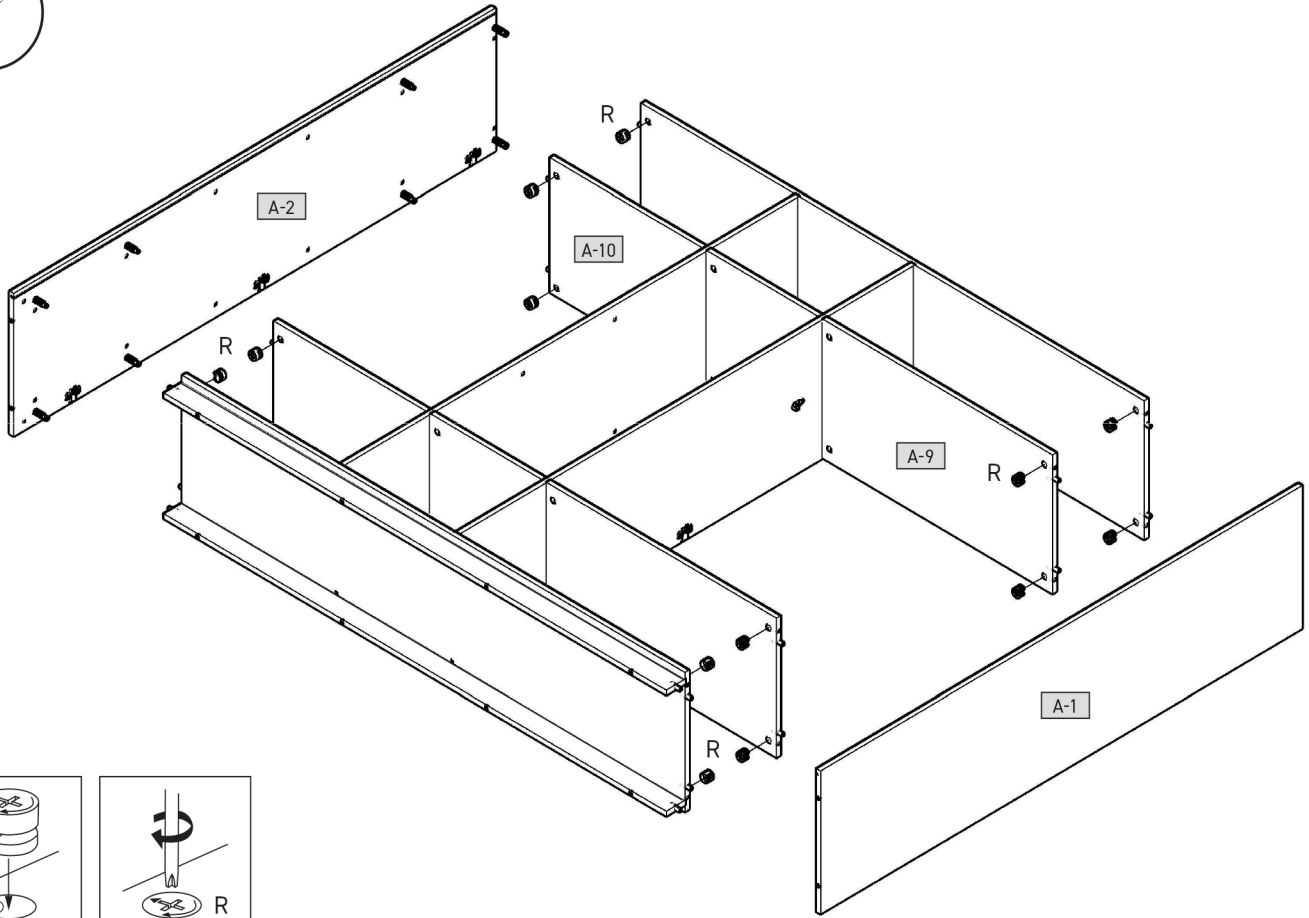
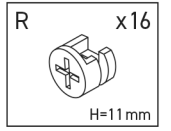
9



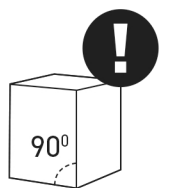
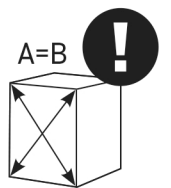
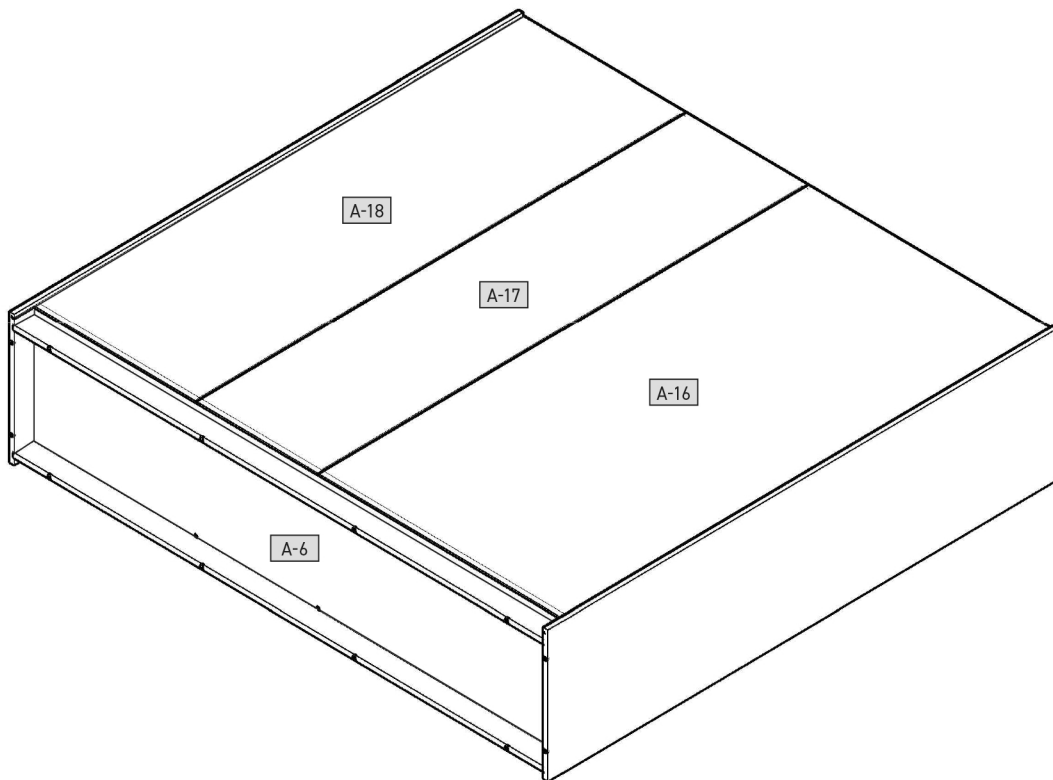
10



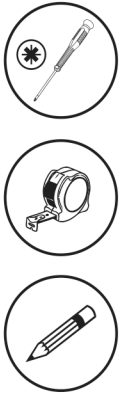
11



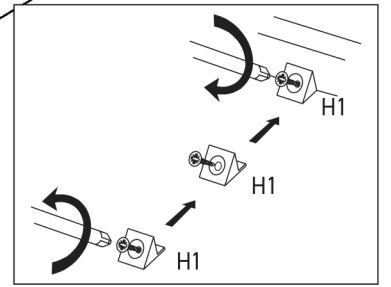
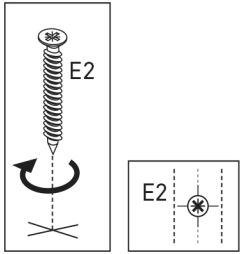
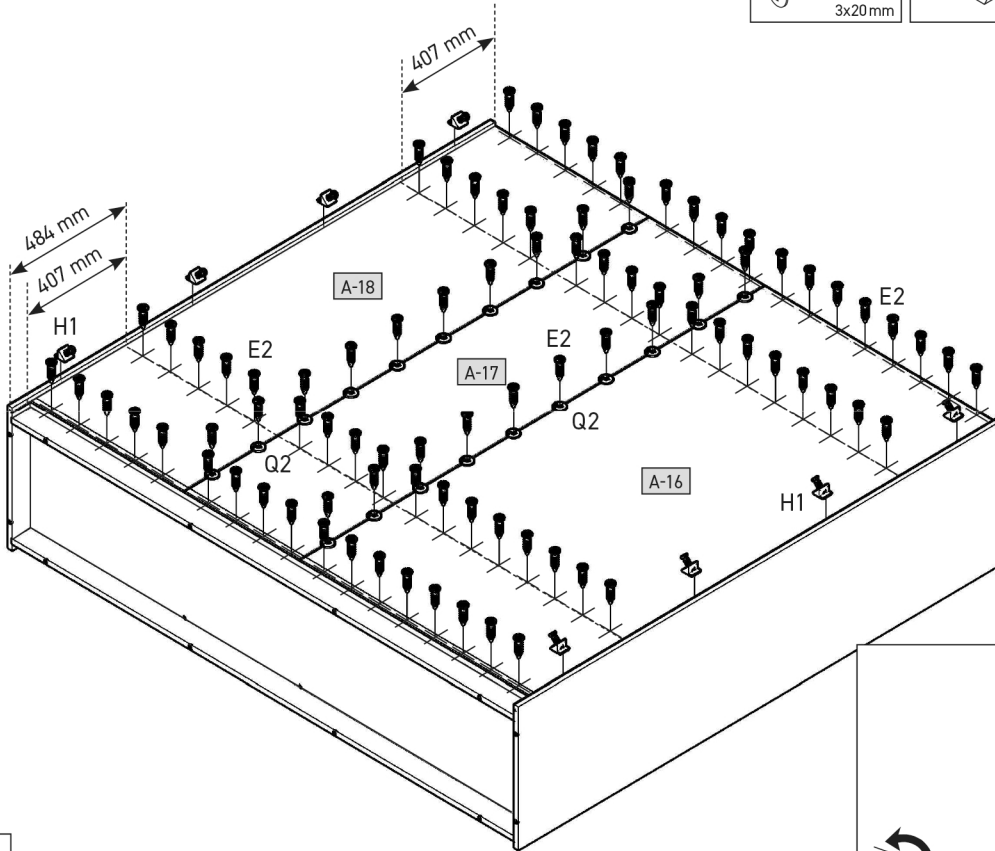
12



13



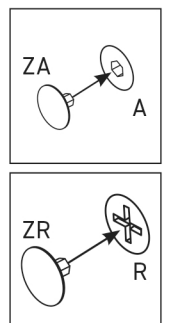
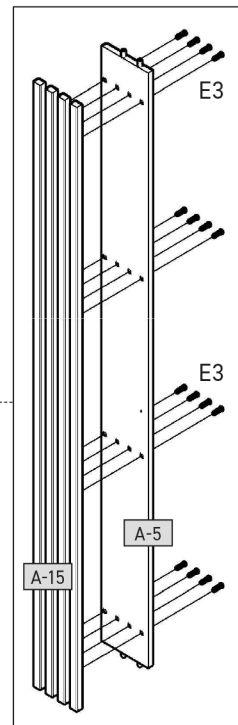
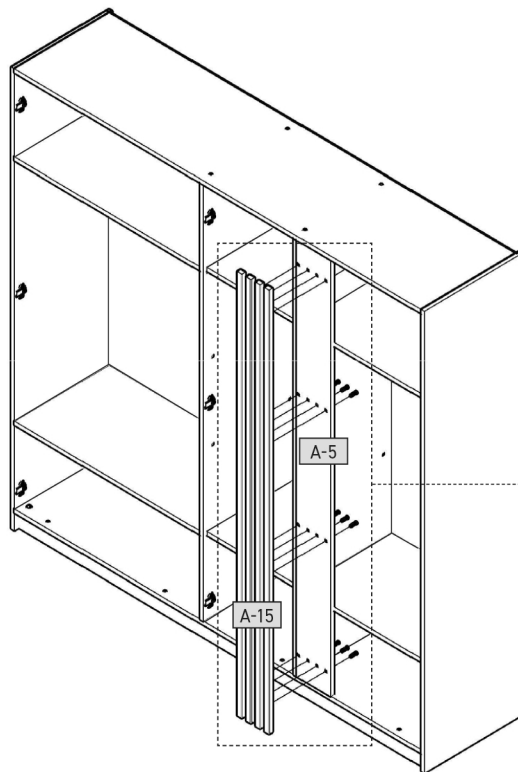
E2	x88	H1	x8	Q2	x20
	3x20mm				∅15/s



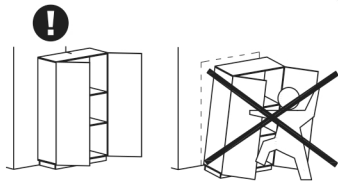
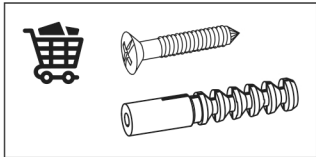
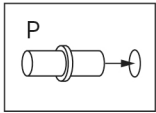
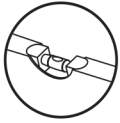
14



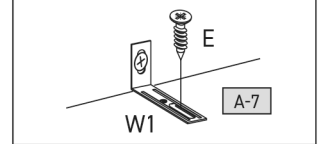
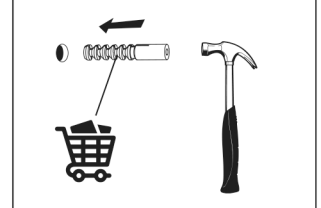
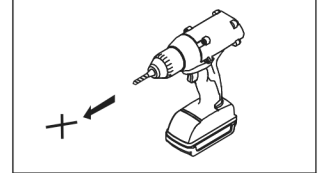
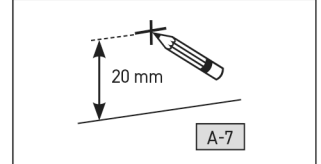
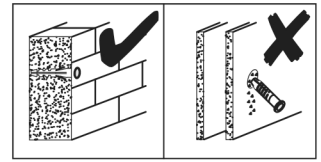
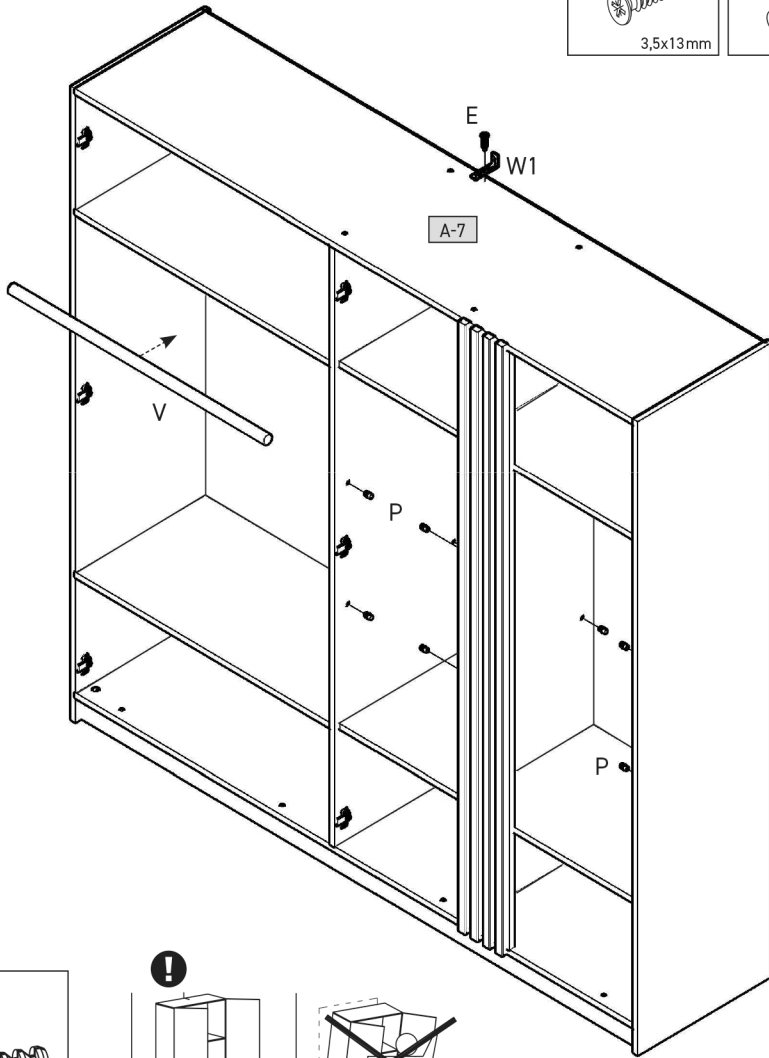
E3	x16	ZA	x17	ZR	x32
	4x27mm		∅4		∅15



15



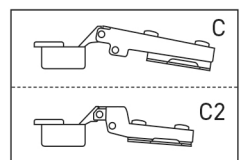
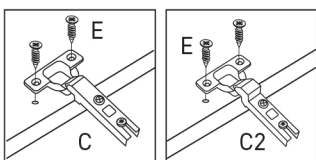
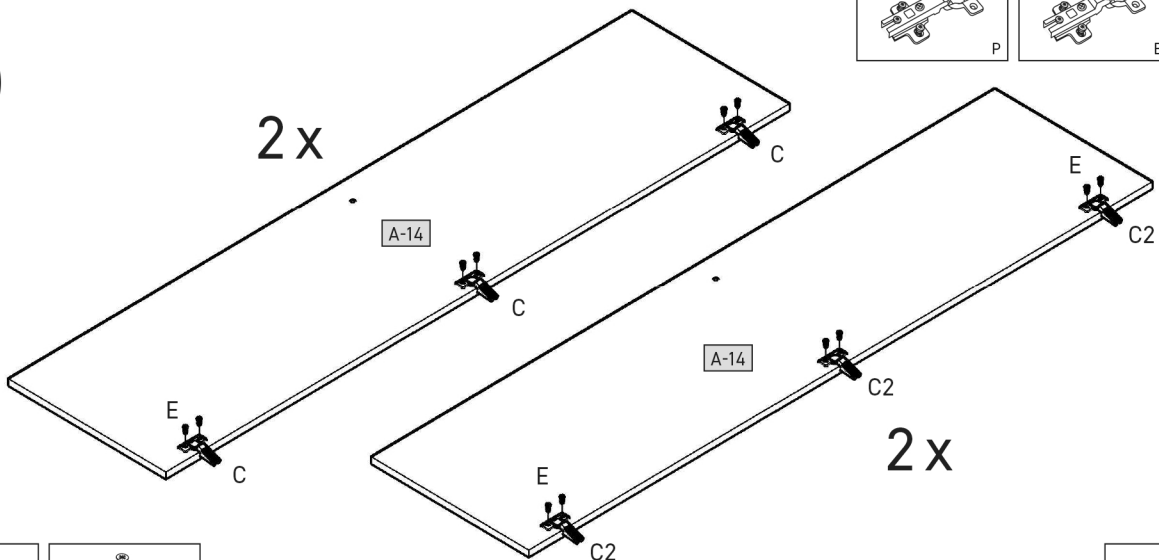
E x1 3,5x13mm	P x16	V x1 L=985mm	W1 x1
------------------	-------	-----------------	-------



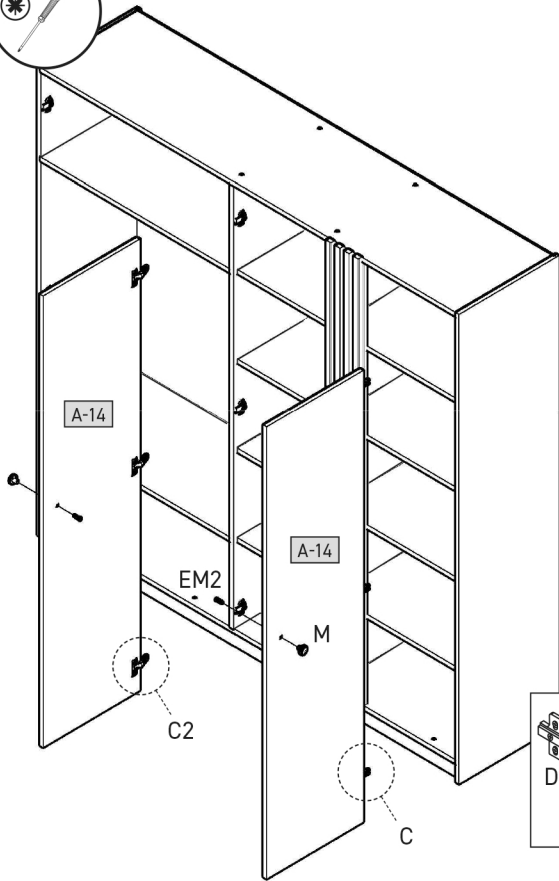
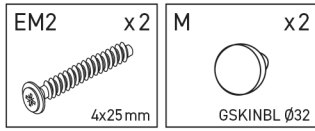
16



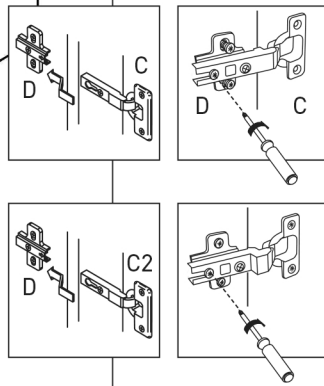
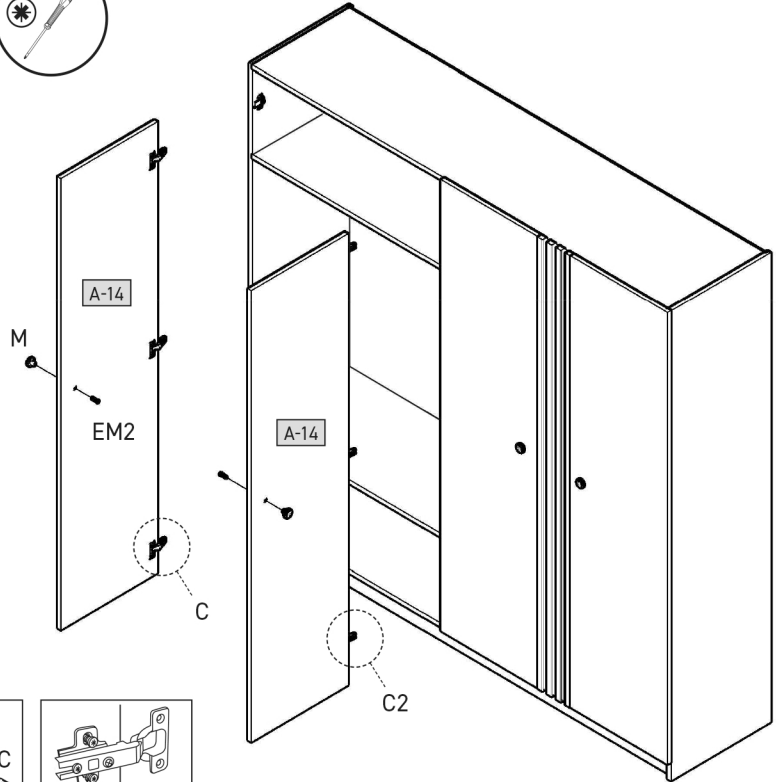
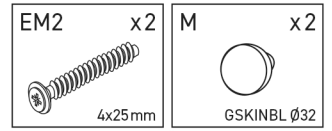
C+D x6	C2+D x6	E x24 3,5x13mm
--------	---------	-------------------



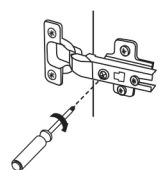
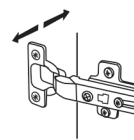
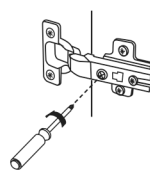
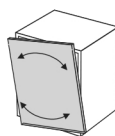
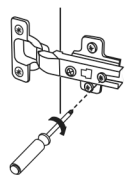
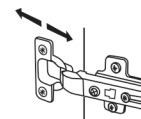
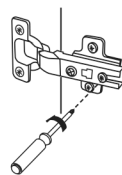
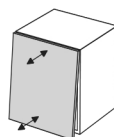
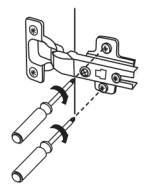
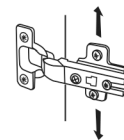
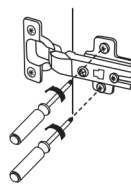
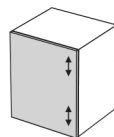
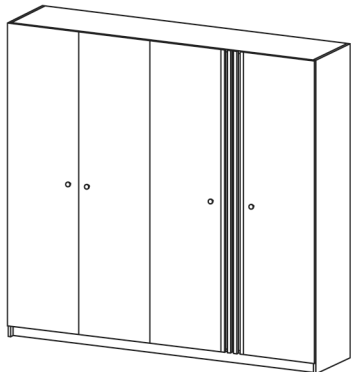
17

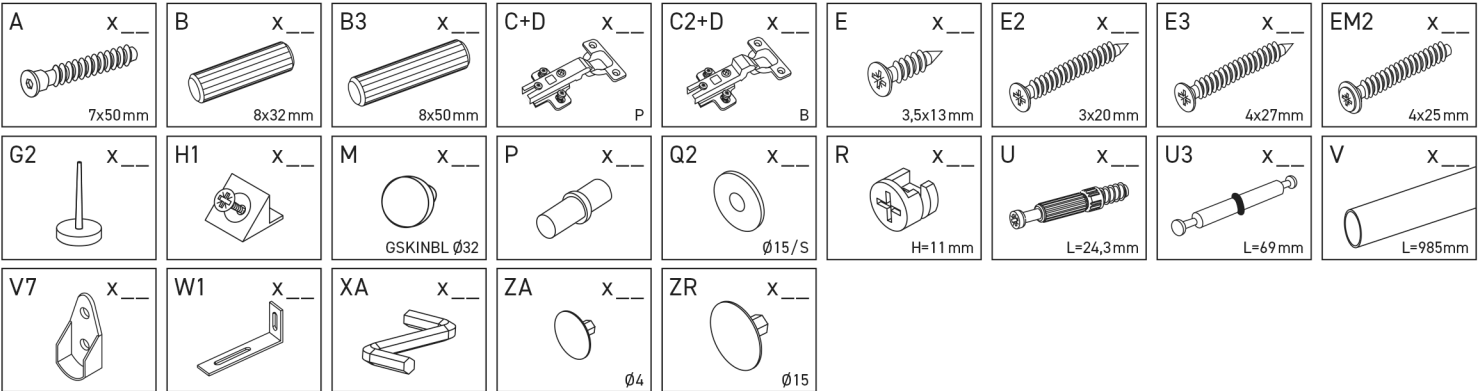


18



19





A-1	2080	520	16	x 1	1/4
A-2	2080	520	16	x 1	1/4
A-3	1968	505	16	x 1	3/4
A-4	1968	505	16	x 1	3/4
A-5	1968	178	16	x 1	2/4
A-6	2168	505	16	x 1	2/4
A-7	2168	505	16	x 1	2/4
A-8	2168	80	16	x 2	2/4
A-9	991	505	16	x 2	1/4
A-10	661	489	16	x 2	3/4
A-11	661	489	16	x 2	1/4
A-12	484	489	16	x 2	3/4
A-13	484	489	16	x 2	3/4
A-14	504	2000	16	x 4	4/4
A-15	2000	24	18	x 4	2/4
A-16	1006	1998	3	x 1	1/4
A-17	500	1998	3	x 1	2/4
A-18	676	1998	3	x 1	2/4

